



Supralift™ The Premium Choice in Air Power is Here...

Air-Powered Door Operators

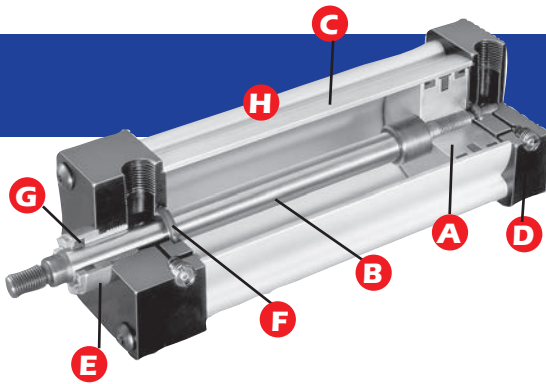


5 YEAR WARRANTY

Designed for maximum performance, the Supralift™ uses existing air supply (40-90 p.s.i.) for fast, reliable operation of your door system.

BENEFITS

- Complete Corrosion Resistance**
All aluminum cylinder, piston and end cap design, coupled with the most corrosion resistant materials available, provides maximum life in the world's toughest applications.
- Reliable Performance**
Engineered for continual use in harsh environments. Supralift™ provides your door with dependable, trouble-free operation cycle-after-cycle.
- Fast**
Supralift™ cycles door 3 times faster than electric openers decreasing cycle time and energy costs. Opener accelerates and decelerates at the beginning and end of each cycle providing smooth operation of your door.
- Long Life**
Supralift™ operators are designed and rated for millions of cycles ensuring years of reliable operation in high use areas.
- Low Maintenance**
Enhanced design minimizes routine maintenance and periodic service, resulting in lower annual repair and service costs for you.
- Safe**
Supralift™ offers instant reverse at the control box and can be stopped by hand. Safety options also include photoeyes, loop detector and bottom edges for safety reverse.



Quality Design... Outstanding Performance

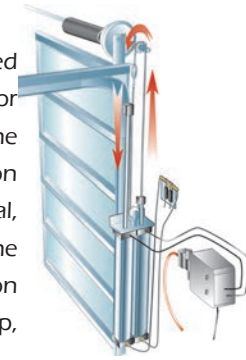
- | | |
|--|------------------------------------|
| Lubrication Free Piston Cylinders | Quick Connect Push Fittings |
| Flow Control Kit | Posi-Lock Chain Collar |
| Stainless Steel Mounting Brackets | Nickel Chain |
| | Aluminum Turnbuckle |
| | Stainless Steel Sprocket |

- A Aluminum Pistons**
Aluminum pistons contract and expand with temperature at the same rate as the cylinders increasing seal longevity. Nylon wear band increases cylinder life and eliminates metal to metal contact. Rounded lip piston seals contain air pressure and glide on lubricant film instead of scraping it for maximum durability.
- B 5/8" Stainless Steel Piston Rod**
Hard chrome plated and polished stainless steel piston rods are strong, rust-proof and clean; equates to less deflection and less seal and bushing wear.
- C 2-1/2" I.D. Anodized Aluminum Cylinders**
Lightweight, high strength aluminum alloy cylinder construction provides a smooth corrosion-free surface and excellent abrasion resistance. Both exterior and interior surfaces are anodized for additional protection and less maintenance.

- D Aluminum Top & Bottom Cap**
Top & bottom caps are constructed of solid aluminum and anodized for complete corrosion resistance. Piston mating surface allows air to work on larger piston area for faster breakaway.
- E Removable Piston Rod Gland**
Threaded externally removable lip seal and rod wiper provides ease of maintenance. No need unistall the operator to disassemble top cap for top seal replacement or service.
- F Check Seal Cushion**
Special check seal cushion design ensures faster cycle time: easy adjustment and low pressure drop for longer life and quick reversal.
- G Piston Rod Wiper Seal**
Lip-type urethane wiper seal keeps contaminants from entering the cylinder by aggressively wiping foreign materials from the piston rod, enhancing seal and service life.
- H Integrated Stainless Steel Tie Rods**
High strength, integrated stainless steel tie rods maintains uniform compression on end caps and seals.

How Supralift™ Works

Supralift™ Air-Powered operators utilize a dual cylinder/piston assembly mounted to the door track. The air valve and regulator located between your compressor and operator directs air to either the open or the close cylinder which pushes the piston/rod assembly down. The drive chain is attached to the top of each piston rod and loops over the sprocket on the doors' torsion shaft. On the "open" signal, compressed air drives the "open" piston/rod downward. The chain rotates the sprocket, rotating the torsion shaft. The door responds with a smooth, fast motion to the open position. On the "down" signal the door closes with a cushiony stop, preventing cable spooling and unwanted door jerking.



Sizes Available

Door Height

- 8 ft.
- 10 ft.
- 12 ft.
- 14 ft.
- 16 ft.

Side Room Required: 8 in.

Complete Operator Control

Supralift™ Operators offer a full range of control functions. From manual or automatic activation, select from Single Standard Control Boxes to Multi-Door and Multi-Function Boxes. Supralift™ is versatile enough to meet any of your controlling needs.



Easily integrated with Car Wash and other equipment.

State-of-the-art NEMA 4X Watertight Control box allows convenient operation with a variety of signaling options to meet your specific needs. High quality valve, filter, regulator, shut-off valve and double-sealed push buttons are included. Emergency open button supplied as standard.



Supralift™ is controlled easily with push buttons, radio controls, remote buttons, photoeyes, light curtains, thermostats, loops, contact switches, relays, timers, proximity switches and many other devices.

Select our Multi-Door Control Boxes to save time, space and money. Multi-Door Control Boxes allow for a large variety of accessories and functions. Consult the factory for the one that best suits your needs. Available with 4, 6, 8 door capability.



All control boxes provide ample room for easy wiring and the addition of more accessories. Double terminal strip allow for easy termination of your control devices, accessories and equipment. Easy plug-in primary power source eliminates hard wiring.

Outstanding Options



- Photo Eyes**
Choose from numerous standard, waterproof and water submersible. photoelectrics. Select from Telco, Banner and other high quality eyes for the safety reversing of your doors.



- Timers**
Time your door opening or closing functions with our built-in timer. (Selectable from 5-180 seconds.)



- Rust-Resistant Chain**
For use in harsh environments, our nickel (standard) and stainless steel (optional) chain are both great choices for areas such as carwashes and/or other high moisture and corrosive areas.



- Vehicle Loop Detectors**
Detect traffic with our top quality loop detectors. Units will open, close or reverse operator when a vehicle is present. Select from a variety of loop sizes and configurations. Automatic or manual amplification.

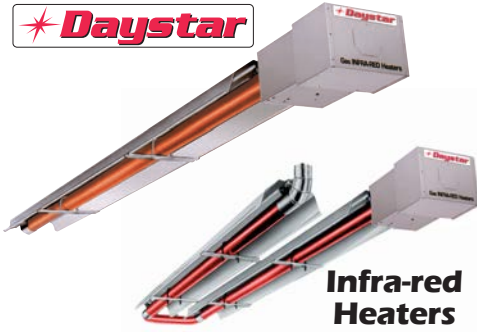


- Inline Dryer**
Keep your airlines clean and dry by removing water, dirt, oil and other contaminants from your system. Our top quality dryers offer 99% efficiency even in tough, extreme conditions!



- Flow Control Valve**
Eliminates cable spooling common when a door reverses direction when in motion. Provides smoother operation and easier adjustment. Minimizes moisture intake problems and freeze-ups.

Other **American** Products:



Infra-red Heaters



Polycarbonate Car Wash Doors



Stainless Steel Hardware



Air-Powered Operators

The Right Product, The Right Company, The Right Choice

In specifying American Garage Door Supply products for your project, you are focusing on our commitment to quality and reputation for excellence. Backed by over three decades of experience, innovation and proven performance, American Garage Door Supply's door, operator, hardware and heater products are the right choice to make your next project everything you need it to be. Call us today for more information about our high quality products, technical assistance or for a dealer near you.

Manufactured By

AmericanTM
garage door supply inc.

Bemidji, Mn

**Our Experience
Works for You!**

1-800-233-1487

www.carwashdoors.com

Members of:



Made In U.S.A.



SUPRALIFTTM II

Air-Powered Door Door Operators
Designed and Manufactured for
High Use and Corrosive Environments

Fast

Cycles 3 Times Faster Than Electric

Reliable

Designed for High Cycle Applications

Durable

Handles Wet, & Dirty Environments

Long Life

Rated for Millions of Cycles

Low Maintenance

Enhanced Features for Increased Service Life

SupraliftTM Air-Powered Operators are excellent in these applications:

- Car Washes
- Truck Washes
- Bus Washes
- Auto Dealerships
- Service Centers
- Transportation Facilities
- Dairies/Creameries
- Poultry Farms
- Livestock Barns
- Slaughterhouses
- Greenhouses
- Swimming Pool Areas
- Marine Environments
- Fertilizer Plants
- Salt Sheds
- Sugar Processing Plants
- Cold Storage Warehouses
- Cement Yards
- Service Stations
- Lube Stations
- Chemical Plants
- Material Handling Areas
- Heavy Industrial Areas
- Processing Facilities

Manufactured By

AmericanTM
garage door supply inc.

Distributed By:

