

# Wiring Magnetic Switch with Safety Reverse Converter (SRC)

(For photoeyes, bottom edges, etc.)

The Magnetic Limit Switch is wired inline with either one of the two wires coming from the obstruction sensor (photoeye, bottom edge, etc.)

Place the Magnetic switch at a convenient location (usually at the top of the door and the adjoining wall)

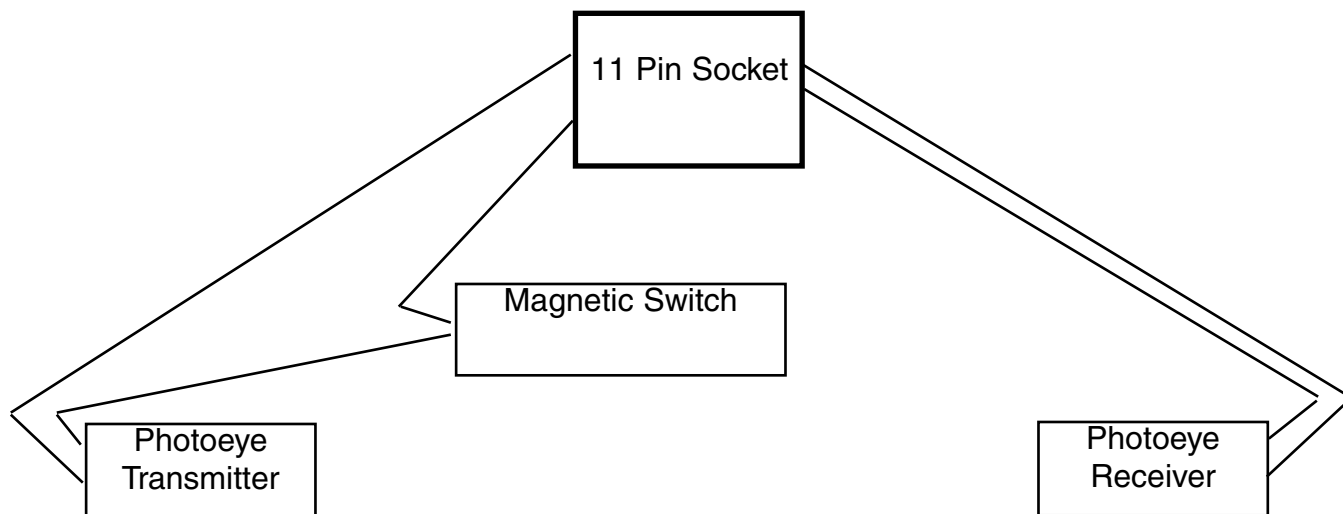
**Note:** The magnet should be within 1/2" of the sensor when the door is in the closed position.

The magnetic switch has 3 wires: Black-common; Green-normally open; Red- normally closed.

You want this switch to be normally closed so use the Black and Red.

If you have questions, please call the factory at **1-800-233-1487**

## Example



**1-800-233-1487**

[www.carwashdoors.com](http://www.carwashdoors.com)