

LOW-HEADROOM REAR MOUNT TRACK

Track Assembly:

- 12 Ga. 304 Stainless Steel - Full Angle Mount
- 11 Ga. Galvanized Steel - Clip Angle Mount

Track Mounting Angle:

- Inside Angle for Wood, Steel or Aluminum
- Outside Angle for Wood
- Outside Angle for Masonry

Shaft: Solid Keyed

- 304 Stainless Steel
- Galvanized Steel

Drums:

- Cast Aluminum
- Nickel Plated

Bearings: Sealed Greaseable

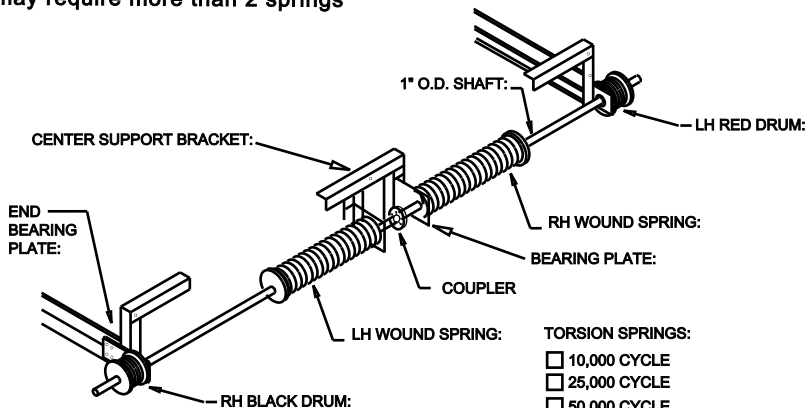
- Stainless Steel
- Painted Cast Iron

Torsion Springs:

- 304 Stainless Steel
- Galvanized Steel

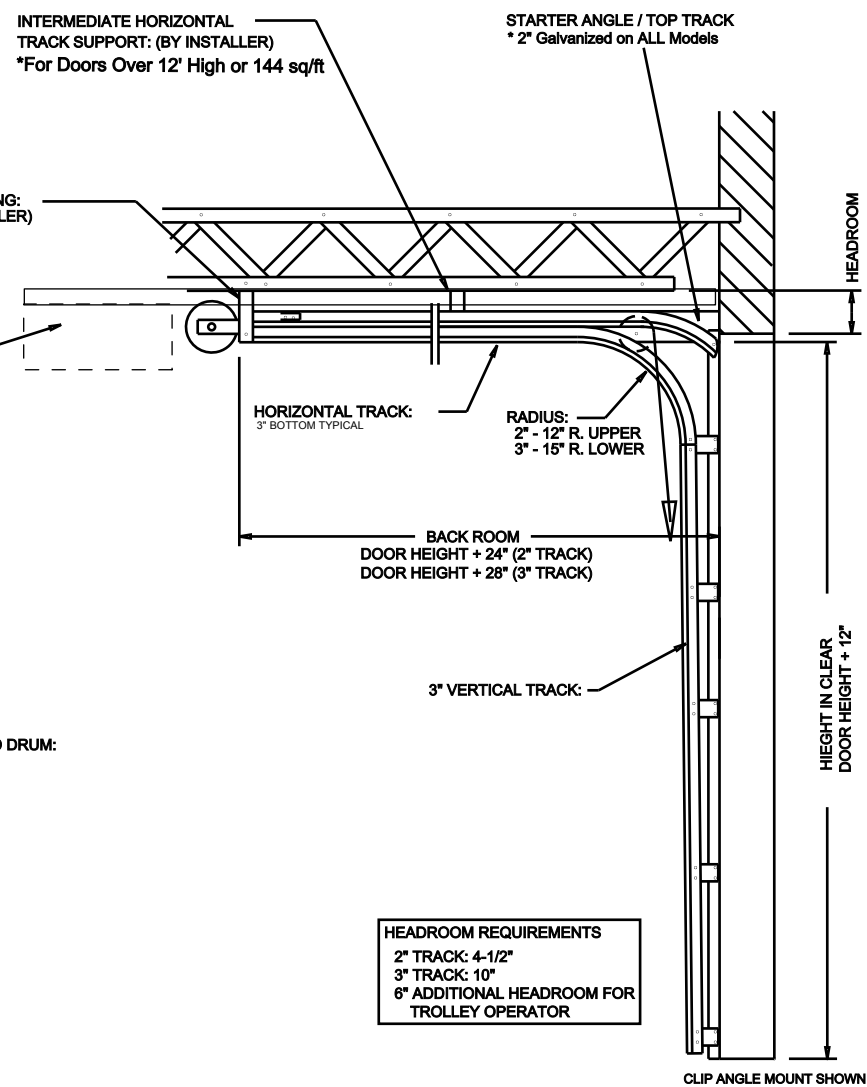
NOTE:

Spring size and configuration individually calculated to counterbalance door load. An exact spring layout can be furnished upon approval of bid. Some doors may require more than 2 springs



TROLLEY OPERATOR:

- Nu MAX
- Magne MAX
- Electric Trolley



HEADROOM REQUIREMENTS
 2" TRACK: 4-1/2"
 3" TRACK: 10"
 6" ADDITIONAL HEADROOM FOR TROLLEY OPERATOR

© AMGDS 2006



CUST: _____
 JOB #: _____
 ARCH: _____
 CONT: _____

LOW-HEADROOM REAR MOUNT
 OPENING SIZE: ___' ___" W x ___' ___" H
 DOOR SIZE: ___' ___" W x ___' ___" H

OPERATOR MODEL : _____
 AVAILABLE HEADROOM: _____

HEIGHT IN CLEAR: _____
 DOOR ONLY
 DOOR WITH OPENER

LH Track Rear
 DATE: _____
 BID #: _____
 PAGE ___ of ___