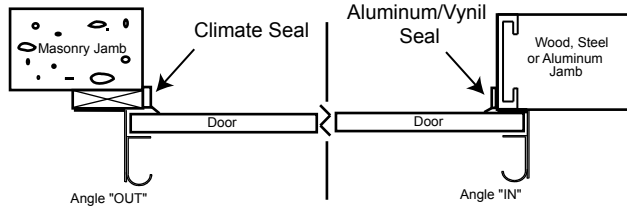


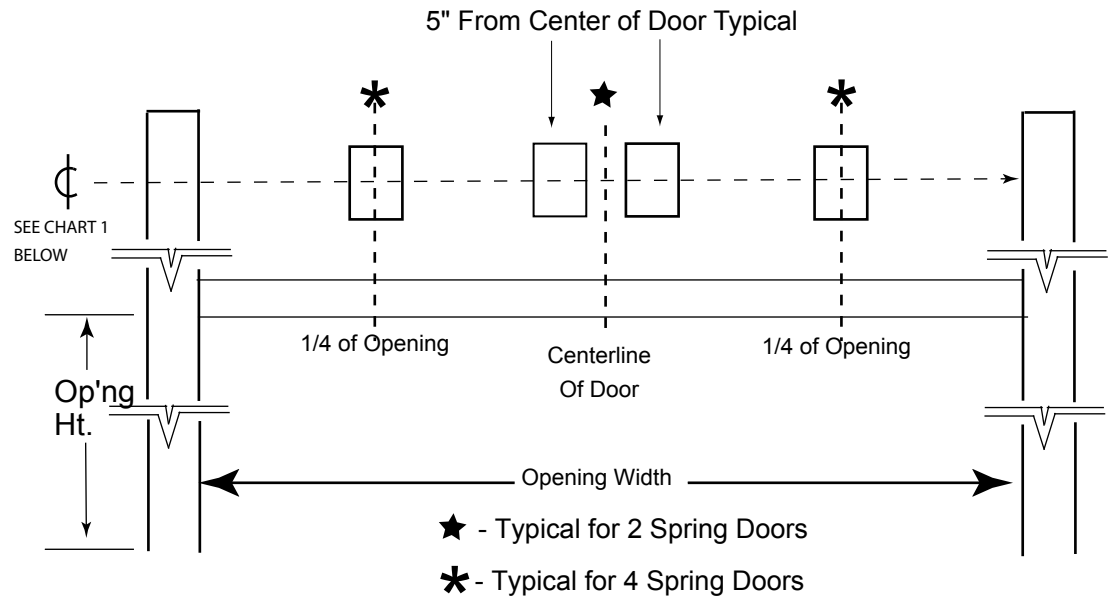
# JAMB PREPARATION:



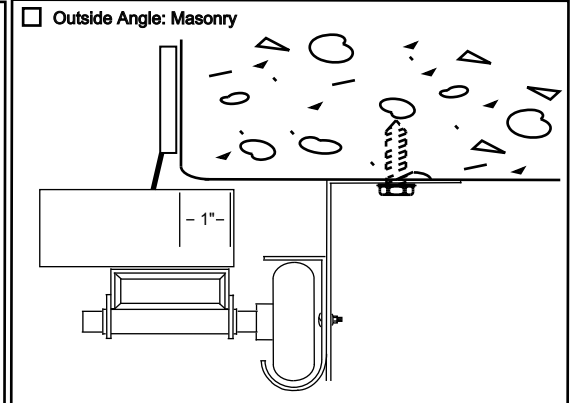
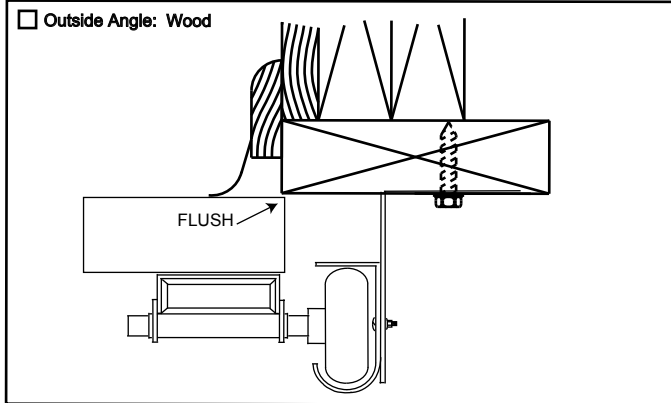
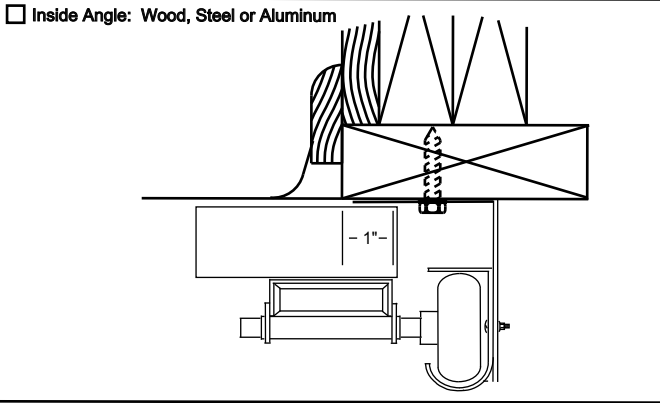
SIDEROOM REQUIREMENTS		
2" TRACK		
WOOD JAMBS	STEEL JAMBS	MASONRY JAMBS
4-1/2"	5"	5"
3" TRACK		
WOOD JAMBS	STEEL JAMBS	MASONRY JAMBS
5"	5-1/2"	5-1/2"

1	Drum	Lift	Bearing Plate	Center of Shaft
<input type="checkbox"/>	400-12	Standard	3-3/8"	Door Height + 13-1/2"
<input type="checkbox"/>	5250-18	Standard	4-3/8"	Door Height + 13-1/2"
<input type="checkbox"/>	800-32	Standard	5"	Door Height + 13-1/2"
<input type="checkbox"/>	400-54	High Lift	4-3/8"	True Highlift + 5-1/2"
<input type="checkbox"/>	5250-54	High Lift	4-3/8"	True Highlift + 5-1/2"
<input type="checkbox"/>	5750-120	High Lift	5"	True Highlift + 5-1/2"
<input type="checkbox"/>	6375-164	High Lift	6"	True Highlift + 5-1/2"
<input type="checkbox"/>	850-11	Vertical Lift	5"	Door Height x 2 + 12"
<input type="checkbox"/>	1100-18	Vertical Lift	6"	Door Height x 2 + 12"

Based on Typical Installations 3" Track



## TRACK MOUNTING TYPES



CUST: \_\_\_\_\_  
 JOB #: \_\_\_\_\_  
 ARCH: \_\_\_\_\_  
 CONT: \_\_\_\_\_

JAMB MATERIAL: \_\_\_\_\_  
 OPENING SIZE: \_\_\_' \_\_\_" W x \_\_\_' \_\_\_" H  
 DOOR SIZE: \_\_\_' \_\_\_" W x \_\_\_' \_\_\_" H

TRACK SIZE: \_\_\_\_\_  
 SIDE ROOM: \_\_\_\_\_

TRACK MOUNTING TYPE: \_\_\_\_\_  
 WEATHER SEAL: \_\_\_\_\_

**Jamb Detail**  
 DATE: \_\_\_\_\_  
 BID #: \_\_\_\_\_  
 PAGE \_\_\_ of \_\_\_