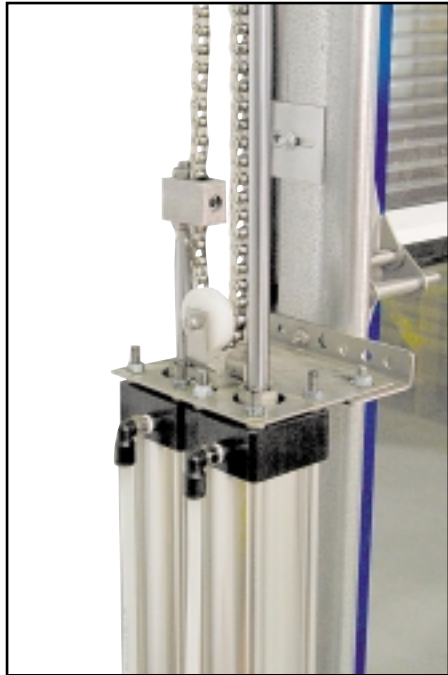




The Premium Choice in Air Power is Here...

Air-Powered Door Operators



Designed for maximum performance, the Supralift™ uses existing air supply (40-90 p.s.i.) for fast reliable operation of your door system.

BENEFITS

Complete Corrosion Resistance

All aluminum cylinder, piston and end cap design, coupled with the most corrosion resistant materials available, provides maximum life in the world's toughest applications.

Reliable Performance

Engineered for continual use in harsh environments. Supralift™ provides your door with dependable, trouble-free operation cycle after cycle.

Fast

Supralift™ cycles door 3 times faster than electric openers decreasing cycle time and energy costs. Opener accelerates and decelerates at the beginning and end of each cycle providing smooth operation of your door.

Long Life

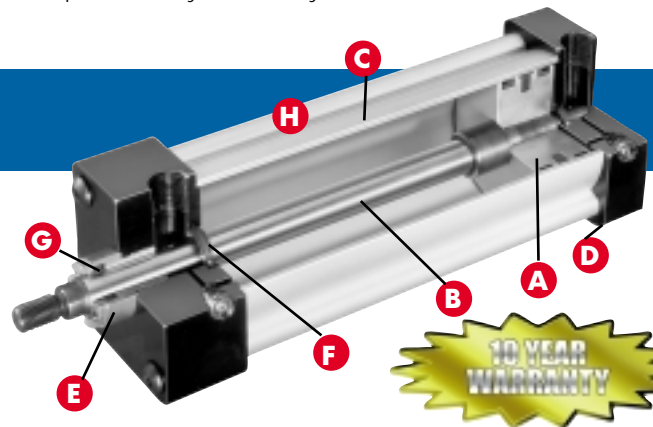
Supralift™ operators are designed and rated for millions of cycles ensuring years of reliable operation in high use areas.

Low Maintenance

Enhanced design minimizes routine maintenance and periodic service, resulting in lower annual repair and service costs for you.

Safe

Supralift™ offers instant reverse at the control box and can be stopped by hand. Safety options also include photoeyes, loop detector and bottom edges for safety reverse.



Quality Design... Outstanding Performance

Lubrication Free Piston Cylinders

Flow Control Kit

Stainless Steel Mounting Brackets

Quick Connect Push Fittings

Posi-Lock Chain Collar

Nickel Chain

Aluminum Turnbuckle

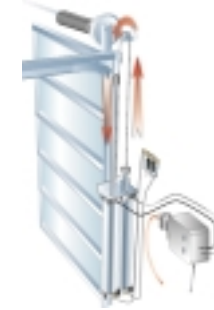
Stainless Steel Sprocket

- A** **Aluminum Pistons and High Quality Seals.**
Aluminum pistons contract and expand with temperature at the same rate as the cylinders increasing seal longevity. Nylon wear band increases cylinder life and eliminates metal-to-metal contact. Rounded lip piston seals contain air pressure and glide on lubricant film instead of scraping it for maximum durability.
- B** **5/8" Stainless Steel Piston Rod**
Hard chrome-plated and polished stainless steel piston rods are strong, rustproof and clean; equates to less deflection and less seal and bushing wear.
- C** **2-1/2" O.D Anodized Aluminum Cylinders**
Lightweight, high strength aluminum alloy cylinder construction provides a smooth, corrosion-free surface and excellent abrasion resistance. Both exterior and interior surfaces are anodized for additional protection and less maintenance.

- D** **Aluminum Top & Bottom Cap**
Top and bottom caps are precision machined of solid aluminum and anodized for complete corrosion resistance. Piston mating surface allows air to work on a larger piston area for faster breakaway.
- E** **Removable Piston Rod Gland**
Threaded externally removable lip seal and rod wiper provides ease of maintenance. No need to disassemble top cap for top seal replacement or service.
- F** **Check Seal Cushion**
Special check seal cushion design ensures faster cycle time; easy adjustment and low pressure drop for longer life and quicker reversal.
- G** **Piston Rod Wiper Seal**
Lip-type urethane wiper seal keeps contaminants from entering the cylinder by aggressively wiping foreign materials from the piston rod, enhancing seal and service life.
- H** **Integrated Tie Rods**
High-strength integrated aluminum tie rod housing maintains uniform compression on end caps and seals.

How Supralift™ Works

Supralift™ Air-Powered operators utilize a dual cylinder/piston assembly mounted to the door track. The air valve and regulator located between your compressor and operator directs air to either the open or the close cylinder which pushes the piston/rod assembly down. The drive chain is attached to the top of each piston rod and loops over the sprocket on the doors' torsion shaft. On the "open" signal, compressed air drives the "open" piston/rod downward. The chain rotates the sprocket, rotating the torsion shaft. The door responds with a smooth, fast motion to the open position. On the "down" signal the door closes with a cushiony stop, preventing cable spooling and unwanted door jerking.



Sizes Available

Door Height

- 8 ft.
- 10 ft.
- 12 ft.
- 14 ft.
- 16 ft.

Side Room Required: 8 in.

Complete Operator Control

Supralift™ Operators offer a full range of control functions. From manual or automatic activation, select from Single Standard Control Boxes to Multi-Door and Multi-Function Boxes. Supralift™ is versatile enough to meet any of your controlling needs.



State-of-the-art NEMA 4X Watertight Control box allows convenient operation with a variety of signalling options including: photoeyes, loops, timers, as well as other devices. High quality valve, filter, regulator, OSHA cut-off valve and double-sealed push buttons included. Emergency open button (shown) or thermostat optional.

Easily integrated with Car Wash and other equipment.



Supralift™ is controlled easily with push buttons, radio controls, remote buttons, photoeyes, loops, contact switches, relays, proximity switches and many other devices.



Select our Multi-Door Control Boxes to save time, space and money. Multi-Door Control Boxes allow for a large variety of accessories and functions. Consult the factory for the one that best suits your needs. Available with 4, 6, 8 door capability.

All control boxes provide ample room for easy wiring and the addition of more accessories. Double terminal strip allow for easy termination of your control devices, accessories and equipment. Easy plug-in primary power source eliminates hard wiring.

Outstanding Options



• Photo Eyes

Choose from standard, waterproof and water submersible. Select from Carlo Gavazzi, Telco, Banner and other high quality eyes for the safety reversing of your doors. Other reversing devices available for standard applications.



• Timers

Time your door opening or closing functions with our built-in timer. (Selectable from 5-180 seconds.)



• Waterproof Chain

For use in harsh environments, our waterproof chain option is an excellent choice for areas such as carwashes and/or other high moisture and corrosive areas.



• Vehicle Loop Detectors

Detect traffic with our top quality loop detectors. Units will open, close or reverse operator when a vehicle is present. Select from a variety of loop sizes and configurations. Automatic or manual amplification.



• Inline Dryer

Keep your airlines clean and dry by removing water, dirt, oil and other contaminants from your system. Our top quality dryers offer 99% efficiency even in tough, extreme conditions!



• Flow Control Valve

Eliminates cable spooling common when a door reverses direction when in motion. Provides smoother operation and easier adjustment. Minimizes moisture intake problems and freeze-ups.

Daystar
Infra-Red Heaters

SURVIVOR
Polycarbonate Doors

SUPRALIFT
Air-Powered
Openers

SUPRALIFTTM
II

Air-Powered Door Operators

**Designed and Manufactured
for High Use or
Corrosive Environments**

- **Fast**
Cycles 3 Times Faster Than Electric
- **Reliable**
Designed for High Cycle Applications
- **Durable**
Handles Wet, Corrosive Environments
- **Long Life**
Rated For Millions of Cycles
- **Low Maintenance**
Enhanced Features For Increased Service Life

Magne-MAX
Direct Drive
Air-Openers

Stainless Steel
Doors

Stainless Steel Hardware

**The Right Product,
The Right Company, The Right Choice**

In specifying American Garage Door Supply products for your project, you are focusing on our commitment to quality and reputation for excellence. Backed by over 19 years of experience, innovation and proven performance, American Garage Door Supply's door, operator and heater products are the right choice to make your next project everything you need it to be.

Call us today for more information about our high quality products, technical assistance or for a dealer near you.

Members of:



Manufactured By
AmericanTM
garage door supply inc.

Bemidji, MN

Often Imitated, Never Equaled!

www.carwashdoors.com

Distributed By:

Supralift™ Air-Powered Operators are excellent in these applications:

- | | | |
|-----------------------------|---------------------------|---------------------------|
| • Car Washes | • Livestock Barns | • Cold Storage Warehouses |
| • Truck Washes | • Slaughterhouses | • Cement Yards |
| • Bus Washes | • Greenhouses | • Service Stations |
| • Auto Dealerships | • Swimming Pool Areas | • Lube Stations |
| • Service Centers | • Marine Environments | • Chemical Plants |
| • Transportation Facilities | • Fertilizer Plants | • Material Handling Areas |
| • Dairies/Creameries | • Salt Sheds | • Heavy Industrial Areas |
| • Poultry Farms | • Sugar Processing Plants | • Processing Facilities |

Manufactured By
AmericanTM
garage door supply inc.