

NEW



**Air-Powered
Garage Door**

Benefits

- **Fast**
Cycles 3 Times Faster than Electric
- **Reliable**
Designed for High Cycle Applications
- **Durable**
Handles Wet and Corrosive Areas
- **Long Life**
Built for Continual High Cycle Use
- **Low Maintenance**
Less Seals and Working Parts to Wear



**Designed Specifically for
Your Wet, Corrosive and
High Use Environment...**

Unlike any other product of it's kind in the market, NuMax™ operators are designed with your wet and rigorous application in mind.

Ideal for specialty applications where reliability and durability are absolutely critical, NuMax™ Operators will not only create, but will also help you maintain a profitable and trouble-free business operation year after year.

Completely **FIELD SERVICEABLE**



New field serviceable design ensures easy, hassle-free replacement of seals and other repair components in the field without sending the unit in to the factory for repair or service.

NuMax™ operators are ideal for these applications •

- Carwashes
- Truckwashes
- Bus Washes
- Service Centers
- Transportation Facilities
- Poultry Farms
- Agricultural Operations
- Slaughterhouses
- Greenhouses
- Marine Environments
- Material Handling Areas
- Commercial
- Lube Stations
- Service Stations
- Auto Dealerships
- Chemical Plants
- Food Processing Areas
- Many More.....

American
garage door supply inc.

1-800-233-1487

1225 Industrial Park Drive, Bemidji, MN. 56601
www.carwashdoors.com

Better Design... Better Performance...



Magnetically Coupled

Magnetically coupled design eliminates the need for external seals and has fewer repair components equating to less maintenance and less cost when servicing down the road.

Exhaust Only

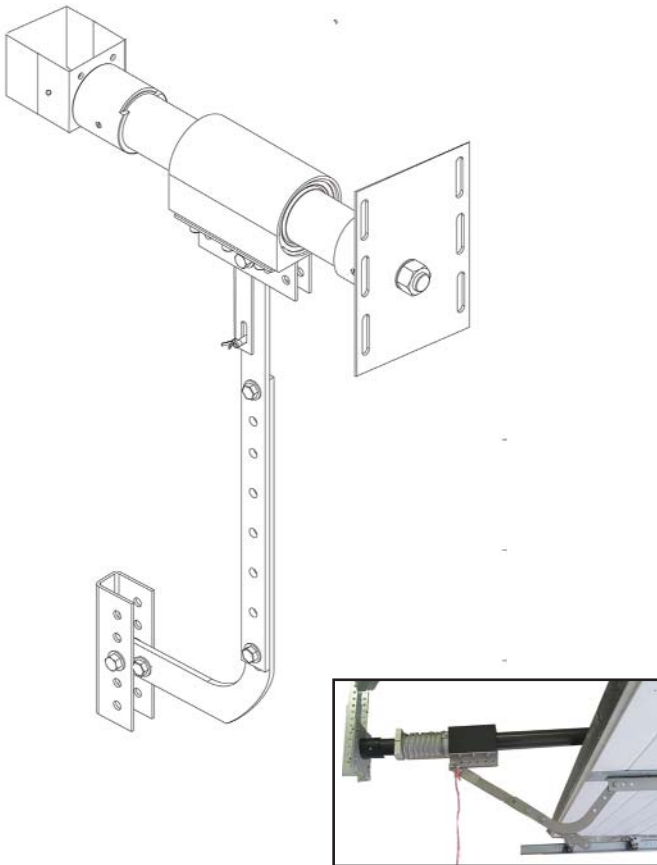
NuMax™ operators feature an intake-free operation with exhaust only actuation. Prevents freeze-ups from moisture typical with other products on the market.

Direct Drive

Connecting directly to the door sections NuMax™ operators will greatly reduce the likelihood of cable spooling and other malfunctions due to freezing, dirt, debris, or natural door design tendencies.

Cushioning Spring Limit Assembly

Cushions end of open cycle and allows you to set open limit anywhere.



Cushioning Spring Assembly

All The Features You Need...

- Large True 2" Diameter Bore Size- 2-1/4" O.D
- 1/8" Cylinder Wall Thickness
- Aluminum Cylinder Wall Anodized to 68 RC
- Adjustable 3" Internal Cushions
- Grease Zerk Fittings
- Aluminum Trolley Slide
- Exhaust Only Design- No Moisture Intake
- Stainless Steel Hardware
- Stainless Steel Arm Assembly
- Cushioning Spring Assembly
- Pre-Assembled Flow Control Kit
- 3/8" NPT Porting
- Quick Dump Exhaust
- Fully Field Repairable
- 36 Month Warranty

Sizes Available Door Heights

8 ft., 10 ft. 12 ft, 14 ft



Controls/Accessories



Nu-Max Operators require a control system to operate. American Garage Door Supply offer a full range of control functions. Choose from a variety of control boxes, loop, pushbuttons, photoeyes and other accessories to meet your requirements.

Easily integrates with your carwash equipment

1-800-233-1487

1225 Industrial Park Drive, Bemidji, MN. 56601
www.carwashdoors.com